

---

# ***INTERMOT - ADVANCED - MOTORS***

## ***IAM SERIES***

---

### ***H8 MODEL***

---

***IAM 6000-6500-6800-  
7600-8000 H8***

***IAM 6000-6500-6800-  
7600-8000 H8***

---

### ***INDEX***

---

TECHNICAL DATA - - - - -	<i>Pag.</i>	104
IAM H8 6000-6500-6800-7600-8000 - - - - -	"	105
IAM H8 6000-6500-6800-7600-8000/C - - - - -	"	106
ORDERING INSTRUCTIONS - - - - -	"	107
GRAPHIC PERFORMANCES H8 6000-6500-6800-7600 - - - - -	"	108
GRAPHIC PERFORMANCES H8 8000 - - - - -	"	109

---

# TECHNICAL DATA

# H8

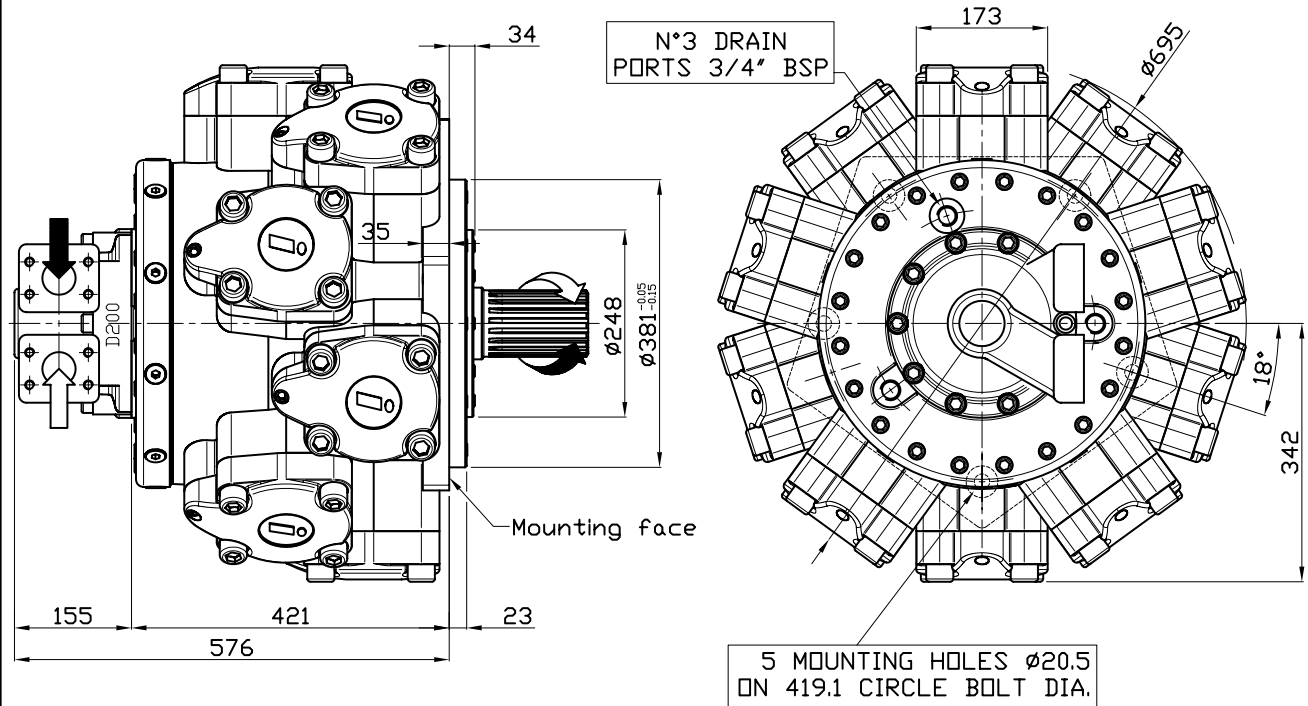
	MODEL	IAM 6000 H8	IAM 6500 H8	IAM 6800 H8	IAM 7600 H8	IAM 8000 H8
Displacement	cc/rev	5966	6581	6962	7620	8062
Specific Torque	Nm/bar	95.0	104.7	110.8	121.3	128.3
Max cont. Pressure	bar	250	250	250	190	180
Max int. Pressure	bar	290	290	290	230	220
Peak pressure	bar	320	320	320	280	270
Max continuous speed	rpm	120	120	120	90	80
Peak speed	rpm	140	140	140	100	90
Max continuous power	HP	183	183	183	177	177
	kW	135	135	135	130	130
Max power	HP	255	255	255	241	241
	kW	190	190	190	180	180

- N° of pistons: 10
- Max case pressure: 6 bar
- Max back pressure: 70 bar
- Dry weight: 590 kg
- Temperature range: -30°C ÷ +70°C
- Minimum speed: 0.5 rpm
- Flushing flow: 20 l/min

(\* )for further details regarding flushing go to page 10 of this catalogue.

## SIZE

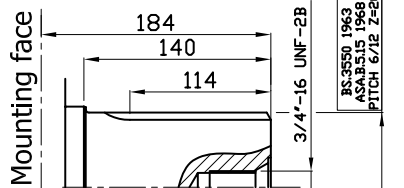
### IAM 6000-6500-6800-7600-8000 H8



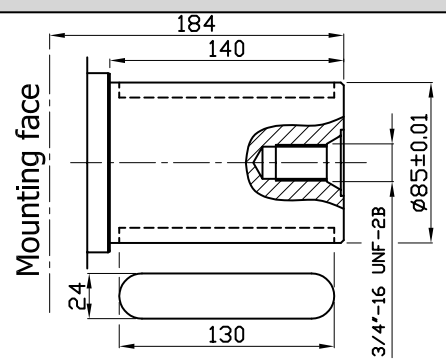
## SHAFT

### IAM 6000-6500-6800-7600-8000 H8

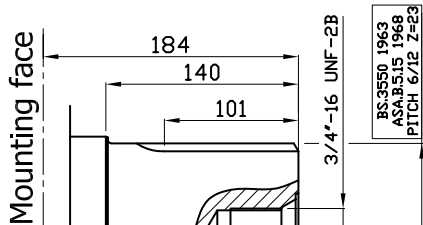
**A1:**  
Standard  
Splined Shaft



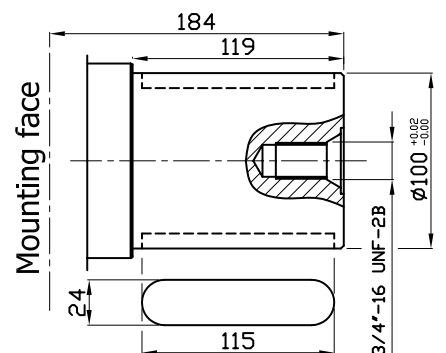
**A2:**  
Parallel Shaft  
on request



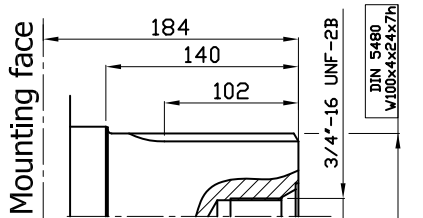
**A11:**  
Splined Shaft  
on request



**A22:**  
Parallel Shaft  
on request

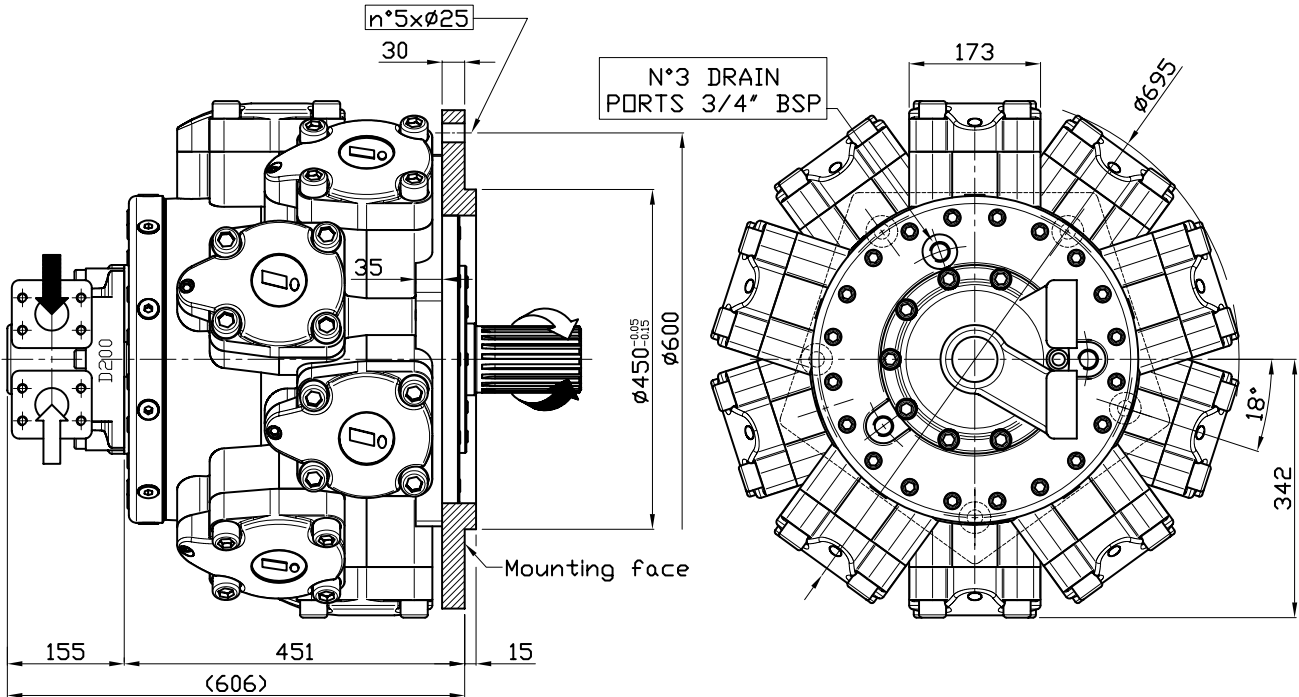


**A5:**  
Splined Shaft  
on request



## SIZE

### IAM 6000/C-6500/C-6800/C-7600/C-8000/C H8

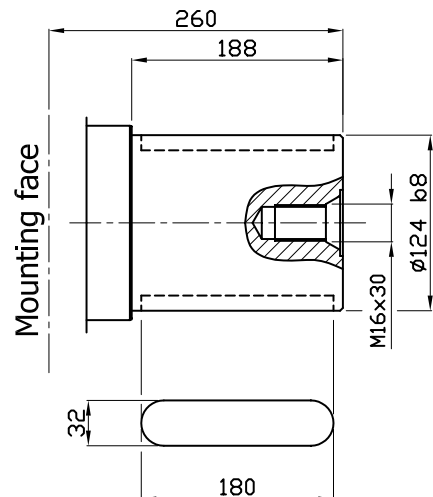
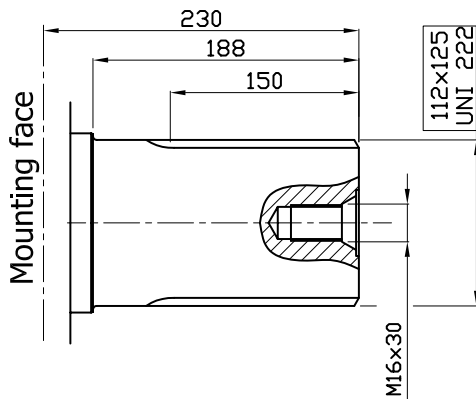


## SHAFT

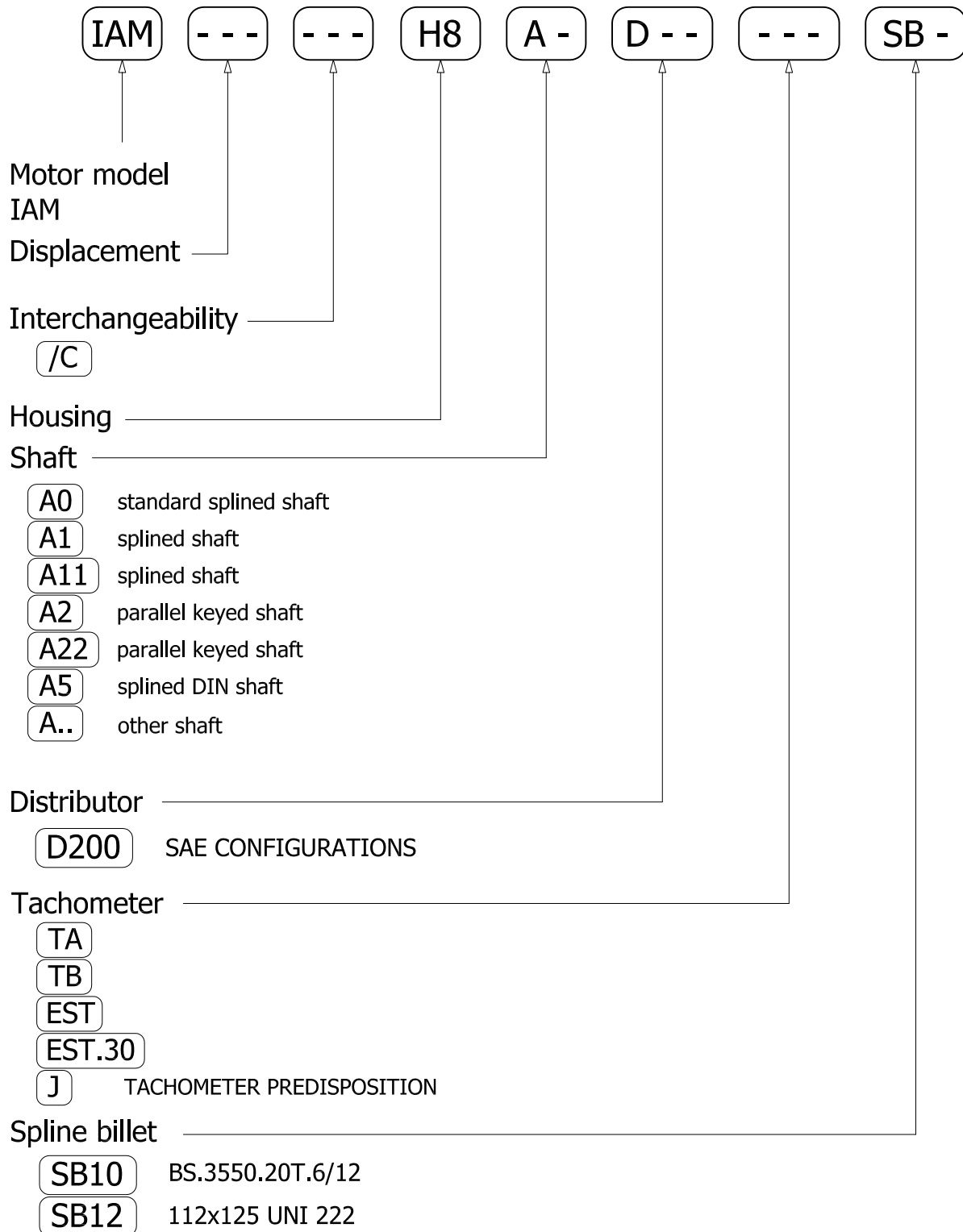
### IAM 6000/C-6500/C-6800/C-7600/C-8000/C H8

A0: Standard splined shaft

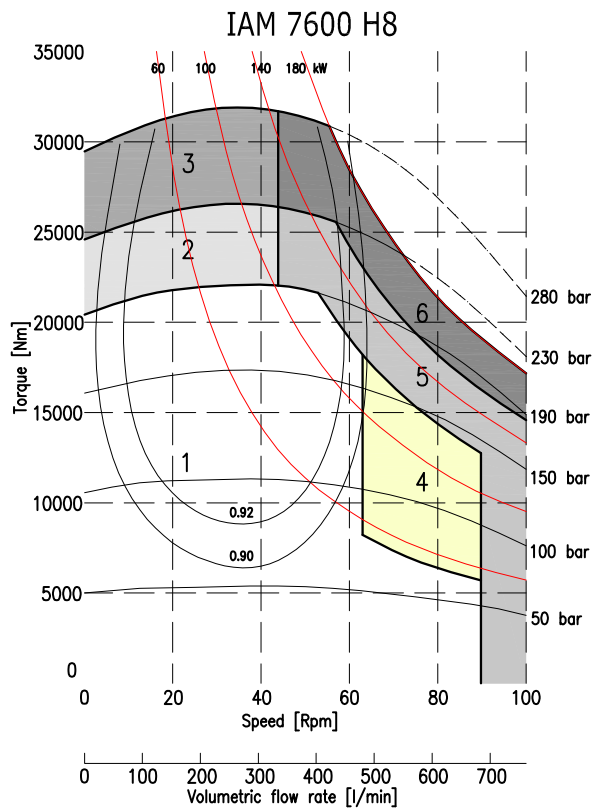
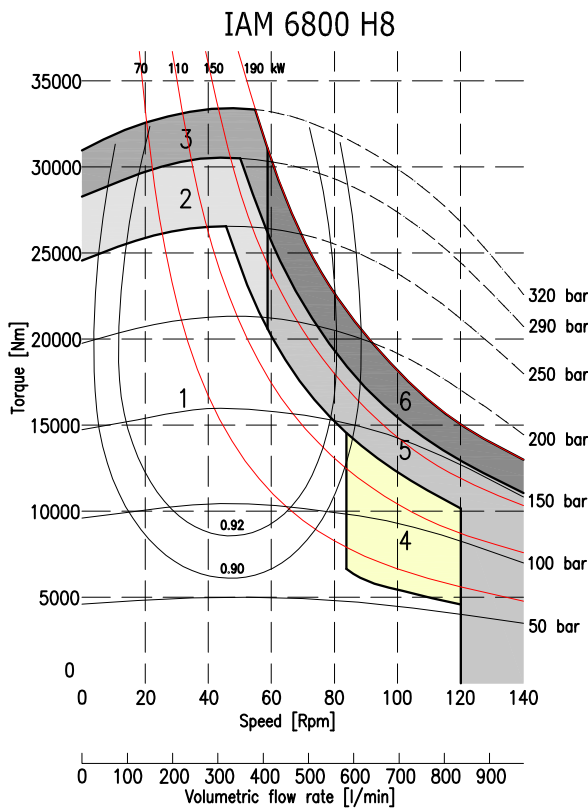
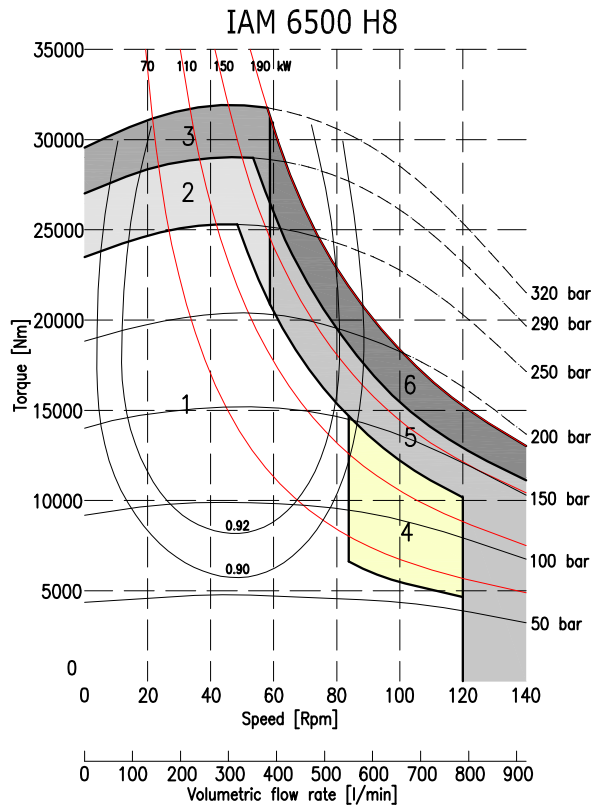
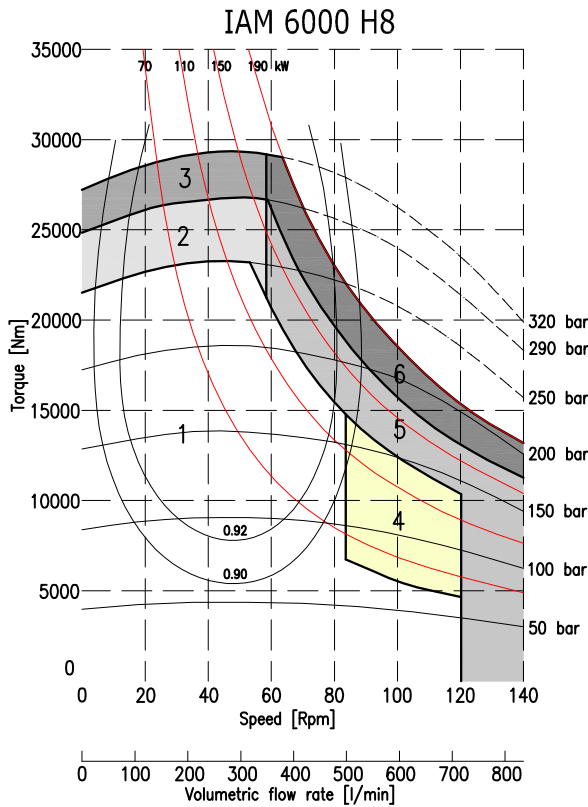
A2: Parallel shaft on request



## ORDERING INSTRUCTIONS

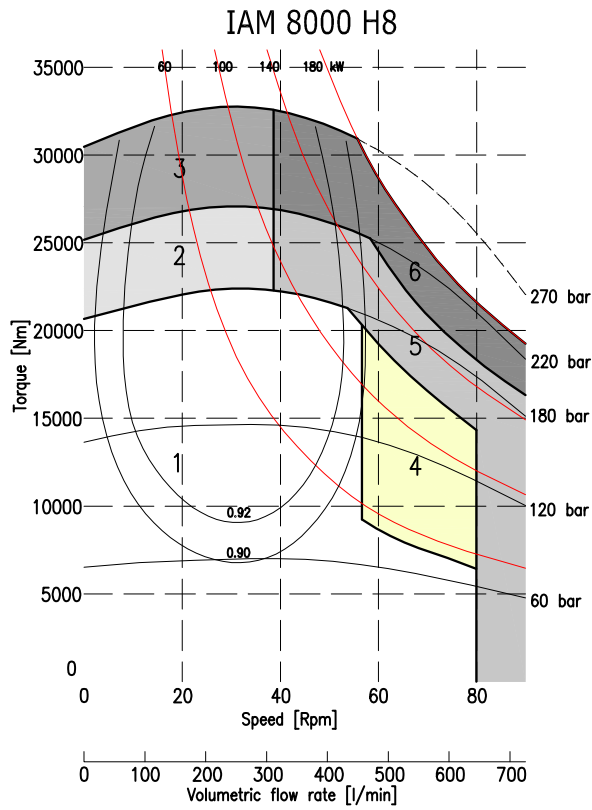


**EXAMPLE:** IAM.6000.H8.A1.D200  
IAM.6800.H8.A1.D200.TA.SB10  
IAM.8000/C.H8.A0.D200.J



1	Continuous operation
2	Intermittent operation for period 3-5 minutes every 10-15 minutes
3	Intermittent operation for very short period (3-5 seconds every 10-15 minutes)

4	Continuous operation with flushing
5	Intermittent operation for period 3-5 minutes every 10-15 minutes with flushing
6	Intermittent operation for very short period (3-5 seconds every 10-15 minutes) with flushing



1	Continuous operation
2	Intermittent operation for period 3-5 minutes every 10-15 minutes
3	Intermittent operation for very short period (3-5 seconds every 10-15 minutes)

4	Continuous operation with flushing
5	Intermittent operation for period 3-5 minutes every 10-15 minutes with flushing
6	Intermittent operation for very short period (3-5 seconds every 10-15 minutes) with flushing